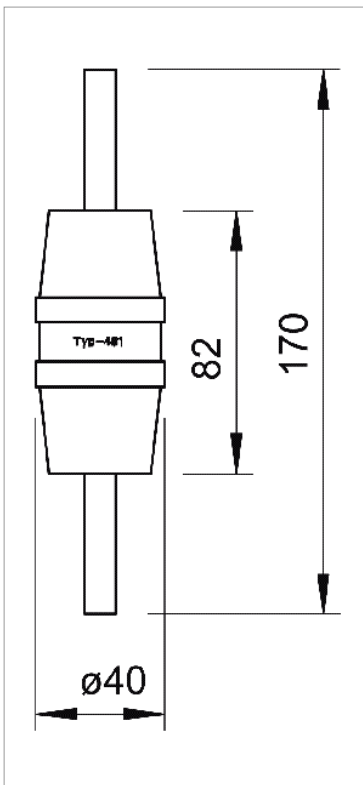


Technical data sheet

Closed spark gap, able to carry lightning current



Closed, lightning current carrying spark gap for separation of electrically conductive plant components.

- Connection bolts; Ø 10 mm; stainless steel.
- Pulsed current 50 kA (10/350)
- BET

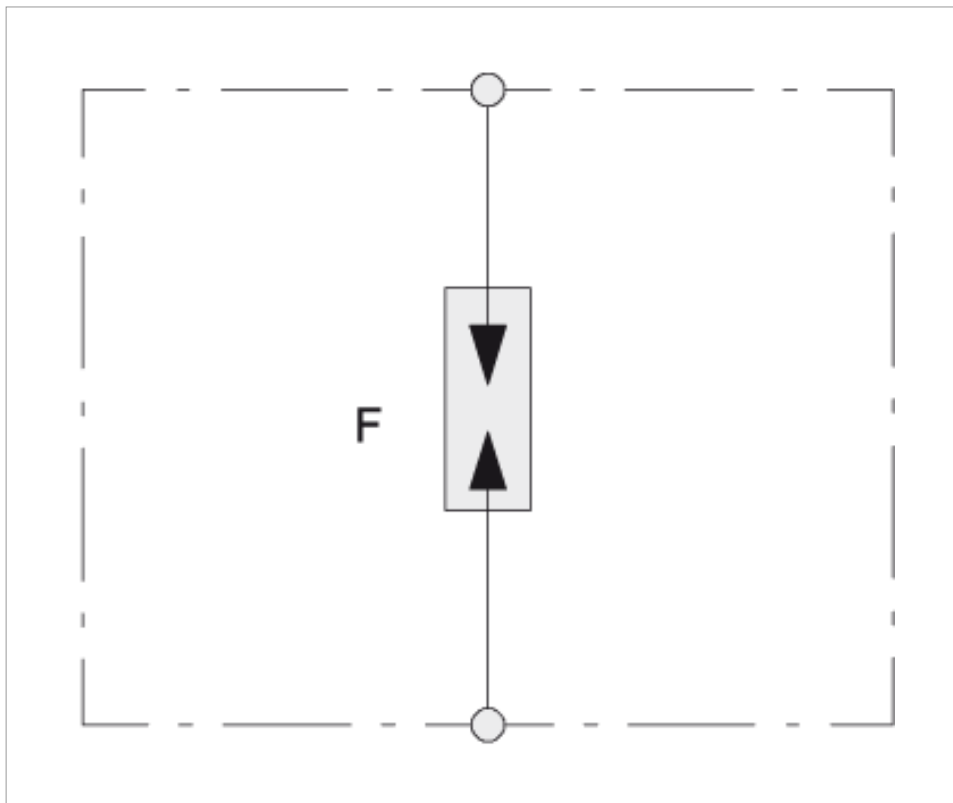
Tested Application: Installation of electrical isolations for external lighting protection and earthing systems, e.g. two earthing systems on account of mutual influence or corrosion (corrosion current prevention).

Type	Lightning impulse current (10/350) kA	Nominal discharge surge current (8/20) kA	Voltage protection level kV	Response voltage kV	Temperature range °C	Pack Units	Weight kg/100 pc.	Art.-No.
481	50	100	< 5	2.5	-20	1	26.500	5240085

G /pc.




Connection-/Circuit diagram





Article number

5240085

Legend

 Communautés Européennes, EC declaration of conformity according to EC directives

 Lightning current-tested

 5-year warranty